

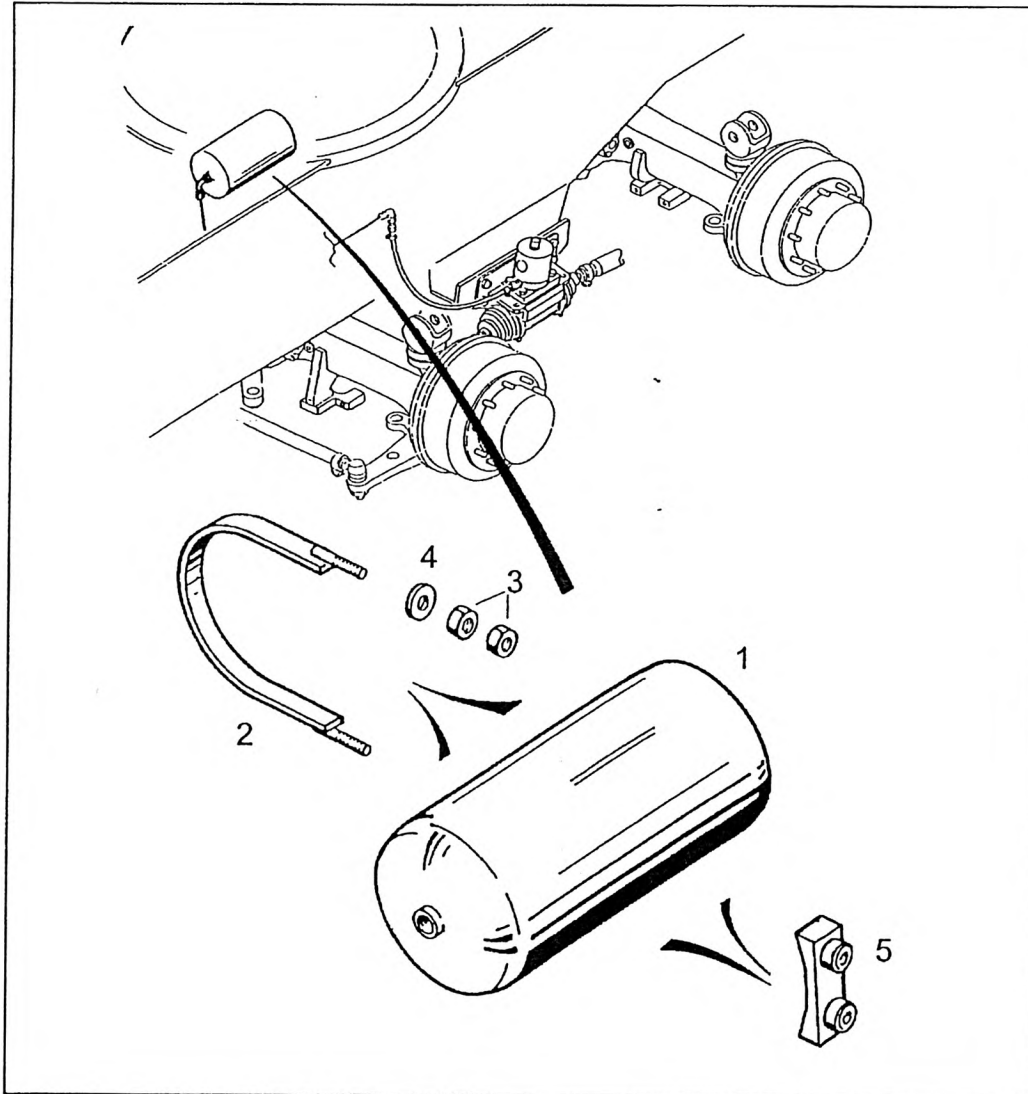
AIR RESERVOIR INSTALLATION
 LUFTBEHAELTER-EINBAU
 RESERVOIR D'AIR ASS.

997-077-33234

Figure
 Bild
 Figure

7733234

1601-05



| Item Pos. Réf | Part No. Teil-Nr. Pièce No | Designation Benennung Désignation | all alle tous | Qty/assy Stck/Variante Pièce/ensemble | | | | | | | | Figure Bild Figure | |
|---------------------|----------------------------------|---|---------------------|--|---|---|---|---|---|---|---|--------------------------|--|
| | | | | A | B | C | D | E | F | G | H | | |
| 1 | 997-077-31614 | AIR RESERVOIR 10 L LUFTBEHÄLTER RESERVOIR D'AIR | 1 | | | | | | | | | | |
| 2 | 997-077-33233 | TENSION BAND SPANNBAND COLLIER DE SERRAGE | 2 | | | | | | | | | | |
| 3 | 997-000-57127 | HEX NUT M10 6KT.-MUTTER ECROU HEXAGONALE | 8 | | | | | | | | | | |
| 4 | 997-014-18651 | WASHER 10,5 SCHEIBE RONDELLE | 4 | | | | | | | | | | |
| 5 | 997-077-30331 | BASE UNTERLAGE PIECE DE BASE | 2 | | | | | | | | | | |